

Qlik[®] connector for SAP NetWeaver[®]

Increasing the value of SAP with quick and flexible data discovery

Organizations spend millions of dollars automating their business processes. But unfortunately, many still lack the ability to fully leverage the wealth of data contained in SAP. This is because SAP's OLAP-based business intelligence (BI) can be complex and predicated on an all-AP cube structure.

In contrast, Qlik's associative, in-memory platform with the Qlik Connector for SAP NetWeaver enables SAP users to perform quick, flexible, visual, ad hoc analysis and reporting to enable data discovery from both their SAP system and external sources. Using Qlik, organizations can complement their centralized SAP reporting capabilities with instant, user-driven analysis, allowing decision making at the speed of business.

See the whole story that lives within SAP data

Conducting reporting and analysis across SAP tables and integrating data from other systems are extremely challenging. This is because SAP and most third-party add-on tools are built for centralized reporting, but lack the flexibility to meet business users' requirements for tools they can use to explore data, as well as ask and answer their own questions. This is especially true when requirements include combining SAP data with data from other sources, and when large data volumes cripple performance. As a result, many SAP users lack visibility into their business processes and critical insights remain unreachable within the SAP environment.

Benefits of using Qlik with SAP

Qlik delivers power and simplicity without the cost or complexity of traditional BI tools

- **Flexibility to combine data sources.** Qlik's associative model easily combines data from SAP ERP, SAP BW, and HANA together with data from non-SAP systems into powerful Qlik applications. Graphical, wizard-based functionality supports multiple data sources and numerous file types.
- **Rapid deployment.** Qlik creates more value out of your SAP system within days or weeks — not months or years. Qlik offers out-of-the-box templates so users can gain instant insight from day one.



Data Sheet

- **Increasing the value of SAP.** With quick, flexible, ad hoc analysis, Qlik enables SAP customers to access all of the data within multiple SAP systems. And, it is easy for business people to use and IT to manage. In fact, most users become productive after less than one hour of training.
- **Confidence of using a certified interface.** The Qlik® Connector for SAP NetWeaver gives customers added assurance of SAP certification when using Qlik to visually analyze critical information from their SAP system.
- **Improved productivity by reusing SAP components.** Qlik's package of multiple SAP connectors enables organizations to reuse business logic and leverage investments they have already made in SAP components such as BEx queries, DSO / ODS objects, ABAP reports, SAP queries, and SAP extractors.

Revolutionary SAP data analysis across the organization

Because Qlik® can be used to analyze data in any dimension, it can help organizations more effectively leverage their SAP data to help improve business performance and reduce costs. And, it can be used in multiple functions across the business.

Executive management

Traditional OLAP technology requires executives to anticipate every question and then have IT build the analysis. With Qlik, a new analysis can be developed within hours with little or no IT support. Executives can get fast answers to critical, often complex, business questions. Qlik enables all standard BI capabilities — predictive analysis, “what-if” scenarios, dashboard KPIs, balanced scorecards, and more — at the speed of business.

Sales and customer support

Qlik makes it easy for those in sales, marketing, and customer service roles to access and use the customer information that’s abundant in SAP systems and external databases. End users from senior management to sales people in the field can analyze market trends, customers, and product/service performance to deliver a timely and accurate alignment of product and sales strategies with customer needs. The end result: improved margins, increased revenue, and higher profits.

More than 2,000 customers use Qlik with SAP

Manufacturing and high tech



Financial services



Communications, energy and utilities



Medical Devices and life sciences



Retail and consumer products



Supply chain

Qlik empowers supply chain managers with instant, deep visibility into demand planning and execution. SAP users can collaborate with suppliers and integrate data from suppliers' systems into Qlik for analysis. With Qlik-enabled intelligent demand/supply analytics, organizations reduce operational costs while increasing responsiveness to customers.

Manufacturing

Factory planners and managers equipped with Qlik can quickly see where and how to systematically improve their SAP-driven processes. Organizations can rapidly shift production needs to capture competitive benefits, reduce product defects, and implement or refine data-intensive best practices methodologies such as Six Sigma, lean manufacturing, and activity-based costing.

Finance

Qlik brings speed, accuracy, and visibility to financial management and regulatory compliance processes that depend on SAP data. Qlik's ability to quickly cleanse data helps SAP users across the enterprise work with the same information, thus eliminating confusion. Qlik simplifies compliance with SOX, IFRS, GAAP, and other accounting statutes and standards, as well as environmental, health, safety, and commerce regulations.

A comprehensive package of SAP integration tools

The Qlik® SAP Connectors cover many of the different integration methods that are used to communicate with SAP ERP, SAP BW, or HANA.

Administrators and business users can select which connector to utilize according to their particular environment and requirements.

Qlik has specific SAP Connectors that work directly with:

- SAP Reports
- SAP Queries
- SAP Extractors
- BEx Queries
- DSO/ODS Objects
- BAPI
- SQL
- OLAP

QlikStart templates

Qlik has a set of QlikStart templates that accelerate how quickly IT can enable businesses to explore their own SAP data in ways they may not have envisioned before. These pre-built linkages include the background database information of how tables within SAP interact:

- AR – Accounts Receivable
- AP – Accounts Payable
- GL – General Ledger
- MM – Materials Management
- PP – Production Planning
- HR – Human Resources
- PS – Project Systems
- CO – Controlling
- BW – Cube-builder



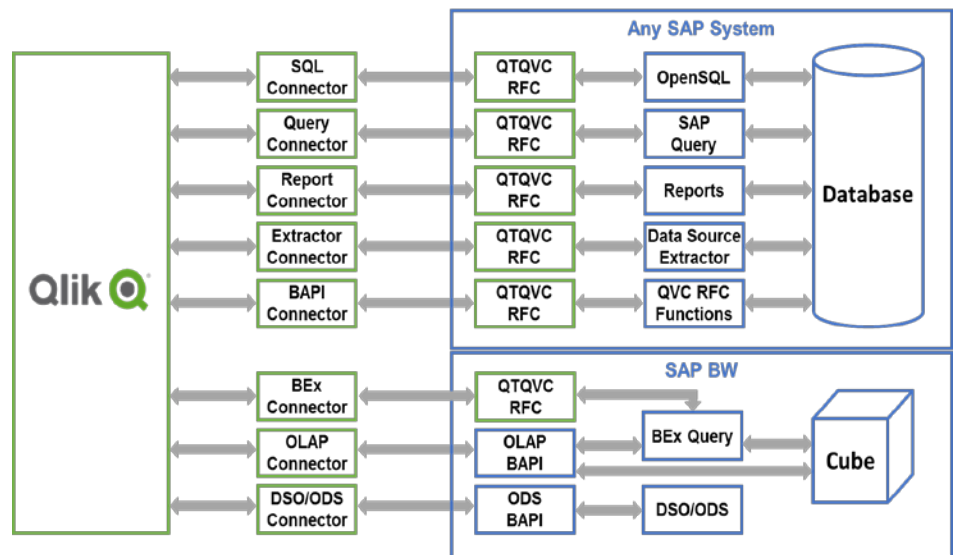
SAP® Certified
Powered by SAP NetWeaver®

“Qlik has been fantastic. The ability to aggregate historical data from various enterprise software systems with the data from our SAP systems has made company information more accessible for everyone and enabled our users to develop consolidated reports rapidly and efficiently.”

-Clifford Siegel, Senior Vice President, Global Supply Chain, Lifetime Brands, Inc.

How the connectors work

The SAP-certified connector works as a read-only remote function call and enables direct access to SAP data. Qlik® can also combine non-SAP data sources in a rapid, flexible, and easy way. Users gain access to analysis at both an aggregated level and a detailed transaction level.



See how Qlik can help get more value out of SAP data

Let Qlik demonstrate how easy it is for organizations to capitalize on their existing SAP investments and gain the insights they need to excel in their day-to-day work. For more information:

- Contact a Qlik or authorized partner representative to see how Qlik can meet specific needs of the business.
- Visit demo.qlik.com to view and explore sample demos for SAP, including:
 - AP – Accounts Payable
 - SAP MM – Materials Management Purchasing
 - SAP SD – Sales and Distribution



150 N. Radnor Chester Road
Suite E120
Radnor, PA 19087
Phone: +1 (888) 828-9768
Fax: +1 (610) 975-5987

qlik.com

